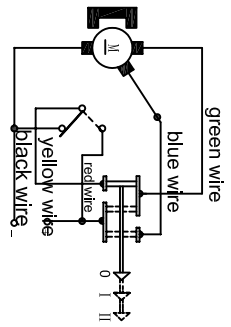


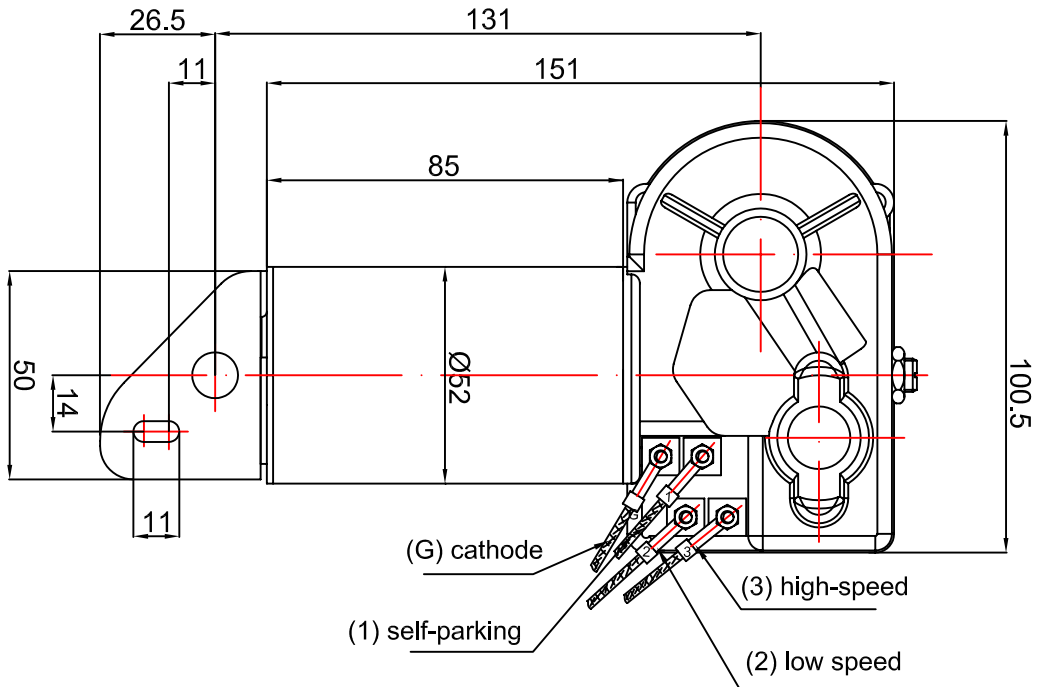
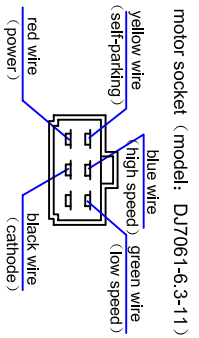
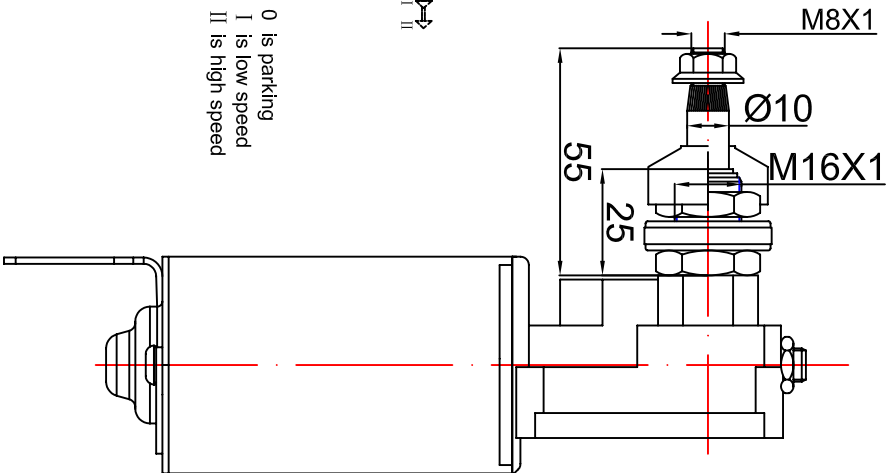
| |
|------|
| 批准图号 |
| 插图 |
| 修改 |
| 旧图号 |
| 旧图号 |
| 总号 |
| 日期 |

| item | basic data |
|-----------------|-------------------|
| voltage | 24V |
| test voltage | 27V |
| brake torque | 9N.m |
| working torque | 2N.m |
| noise | less than 53dB(A) |
| | low |
| no-load speed | 35± 4r/min |
| | high |
| no-load current | 50± 5r/min |
| | low |
| working speed | ≤1A |
| | high |
| working current | ≤1.5A |
| | low |
| current | 46± 4r/min |
| | high |
| current | ≤1.5A |
| | high |
| current | ≤2.5A |
| | high |

circuit diagram



note: 0 is parking
I is low speed
II is high speed



WHITE ELEPHANT AUTOMOBILE ACCESSORY FACTORY

Motor no: ZD1233AA 12V
ZD2233AA 24V

To Change wiping angle and self-parking position

The motor is preset in 110° wiping angle and left self-parking position.

To change the wiping angle

Referring to drawing 2.

1. Remove the cover plate.
2. Remove the circlip that connects shaft with transmission plate.
3. Take out the transmission plate.
4. Unscerw the screws that fastening the angle plate with the gear
5. Mount the angle plate alligning the hole marked with required wiping angle with the oblong hole on the gear and screw the angle plate back.

To change to right self-parking position or left self-parking position

Choose left or right self-parking position by mounting the spindle of transmission plate in the hole of angle plate for desired angle, alligning the hole with the oblong-like groove on the wheel (the groove with a hole is right self-parking position, the groove without hole is left self -parking position).

6. Reposition transmission plate and put back the circlip.
If there is few lubrication grease , please add some.

Note: Confirm there is no short-circuit and no touch with the moving parts before refasten the cover plate.

