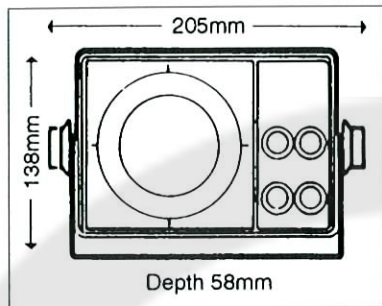
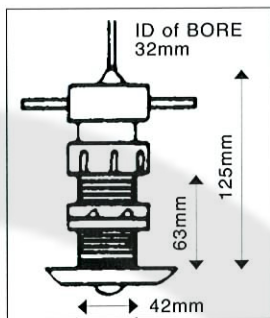


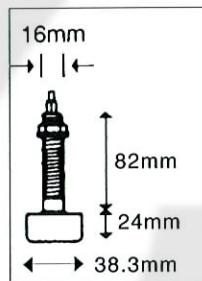
### STINGRAY



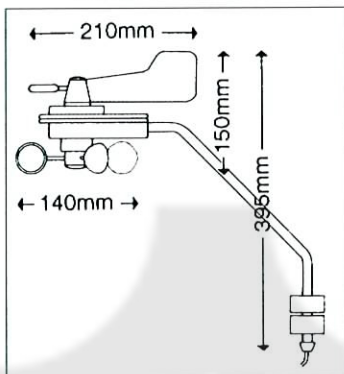
### PADDLEWHEEL



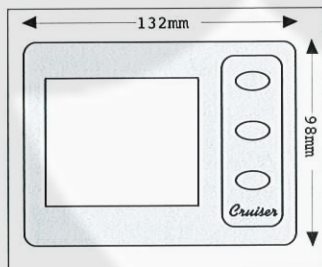
### TRANSDUCER



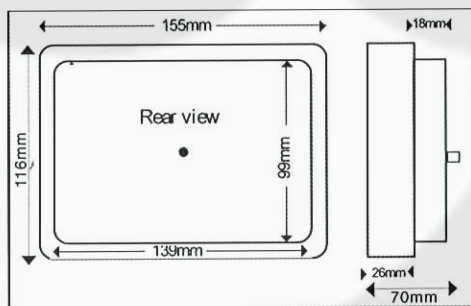
### MAST HEAD UNIT



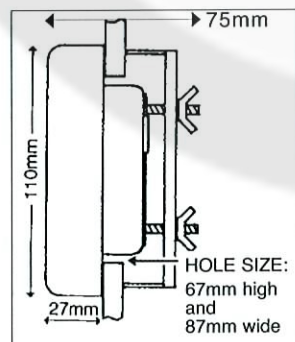
### TARGET/CRUISER DISPLAY



### CLIPPER NAVTEX/WEATHERMAN/AIS RADAR



### CLIPPER DISPLAY



### FLUXGATE SENSOR

